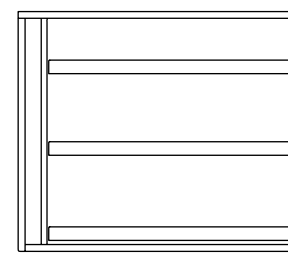
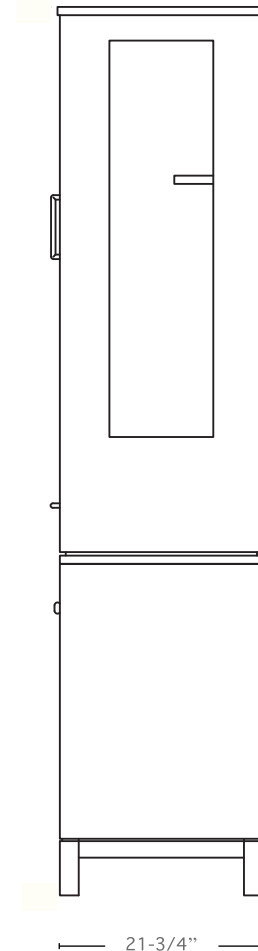


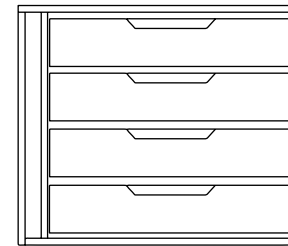
AMERICAN MUSIC FURNITURE

5806 LOWER YORK RD, LAHASKA, PA 18931

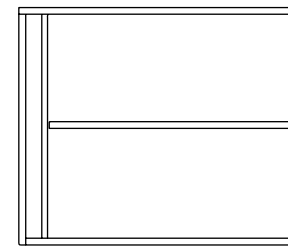
LOWER ESTATE OPTIONS:



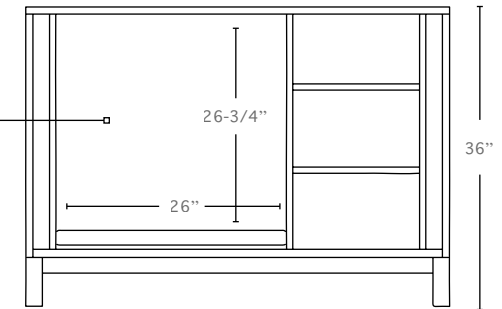
Effects Pedal Trays (3)



Drawers (4)



Adjustable Shelf



Amp Tray
(power outlet)

LOWER ESTATE DIMENSIONS

EXTERNAL	Width 69-1/2"
	Height 36"
	Depth 21-3/4"
LEFT BAY	Width 26"
	Height 26-3/4"
RIGHT BAY	Width 15-3/4"
	Height 26-3/4"

GUITAR ESTATE

MEDIUM

DESCRIPTION

Solid wood construction, soft-close doors + drawers, cork-lined neck rest + rails, tempered glass, LED lighting, active humidification system. Made from domestic hardwoods with VOC-Free finish.

Lower: Pocket doors, full-extension soft-close drawers. Amp tray + Pedal Effects Trays includes power supply.

ESTATE DIMENSIONS

Height | 94-1/4"
Width | 51-1/2"
Depth | 21-3/4"

NECK REST

Instruments Held | 7
Type | Acoustic, Electric

HUMIDIFICATION SYSTEM

1 Gallon

WOOD SPECIES

walnut, textured black ash,
maple, oak, cherry